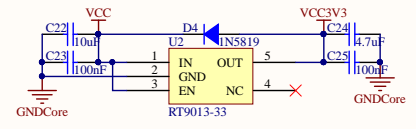
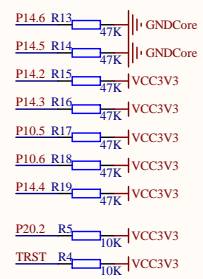


VAREF1:5V/3.3V
VAGND1:GND
VDDM:5V/3.3V
VDD/VDDSB:1.3V
VDD:1.3V
VEXT:5V/3.3V
VDDP3:3.3V
VDDFL3:3.3V
VFLEX:5V/3.3V
VSS:GND
VSSM:GND

默认
HWCFG0=0
HWCFG1=0
HWCFG2=1
HWCFG3=1
HWCFG4=1
HWCFG5=1
HWCFG6=1

HWCFG[0] P14.6	HWCFG[1] P14.5	HWCFG[2] P14.2	HWCFG[3] P14.3	HWCFG[4] P10.5	HWCFG[5] P10.6	HWCFG[6] P14.4
0 - SMPS 1 - LDO (default)	0 - EVR33OFF 1 - EVR33ON (default)	0 - EVR13OFF 1 - EVR13ON (default)	0 - Boot from pins HWCFG[5:4] 1 - Flash BML boot (default)	HWCFG[4:5] [0]- Generic Bootstrap (P14.0/1) [0]- ABM, Generic Bootstrap on fail (P14.0/1) [1]- ABM, ASC Bootstrap on fail (P15.2/3) [1]- Internal start from Flash (default)		Default Pad state 0 - Pins in tristate 1 - Pins with pull-up (default)

- 1) HWCFG[6] has weak internal pull-up active at start-up if the pin is left unconnected.
- 2) If HWCFG[6] is left unconnected or is externally pulled high, HWCFG[0:5] pins have weak internal pull-ups active at start-up.
- 3) If HWCFG[6] is connected to ground, HWCFG[0:5] pins are in tristate. External pull devices required for all HWCFG pins.
- 4) In packages smaller than QFP144, HWCFG[0:2] pins are absent & internally pulled high ensuring EVR13 (LDO) & EVR33 is active
- 5) HWCFG[0:2] and HWCFG[6] pins are latched during supply ramp-up (VEXT < 2.97V) and stored in PMSWSTAT.HWCFGEVR & TRIST register bits. The remaining HWCFG pins are latched on internal reset release (between 100us - 180us after reset assertion) and stored in STSTAT register.



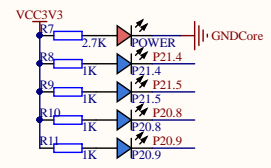
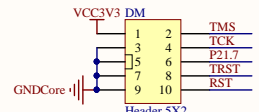
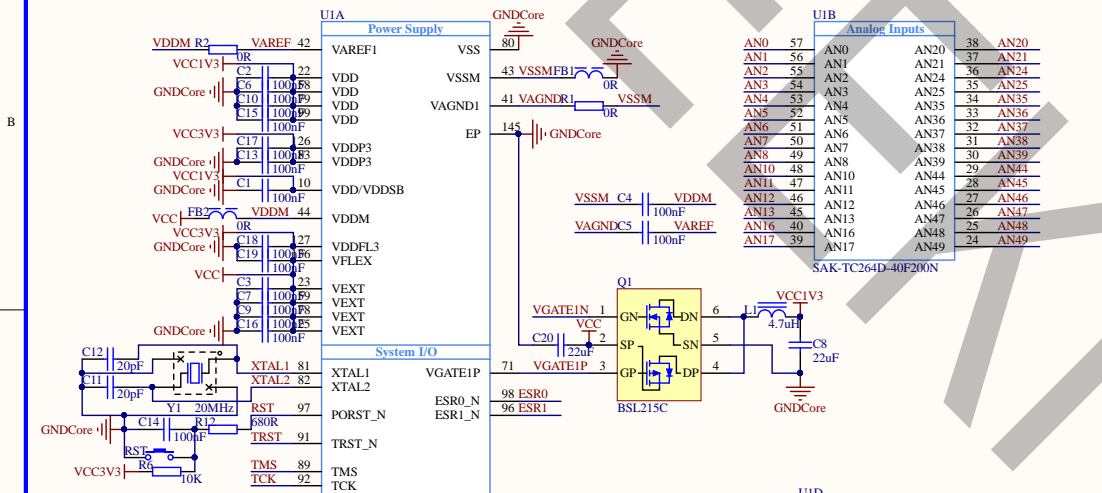
启动BOOT选择

3.3V电源

单片机等

下载口

指示灯



Port 00, 02, 10, 11, 13, 14		Port 15, 20, 21, 22, 23, 32, 33	
P00.0	11	P15.0	109
P00.1	12	P15.1	110
P00.2	13	P15.2	111
P00.3	14	P15.3	112
P00.4	15	P15.4	113
P00.5	16	P15.5	114
P00.6	17	P15.6	115
P00.7	18	P15.7	116
P00.8	19	P15.8	117
P00.9	20	P20.0	93
P00.10	21	P20.1	94
P00.11		P20.2	95
P00.12		P20.3	96
P02.0	1	P20.7	101
P02.1	2	P20.8	102
P02.2	3	P20.9	103
P02.3	4	P20.10	104
P02.4	5	P20.11	105
P02.5	6	P20.12	106
P02.6	7	P20.13	107
P02.7	8	P20.14	108
P02.8	9	P21.2	84
P10.1	140	P21.3	85
P10.2	141	P21.4	86
P10.3	142	P21.5	87
P10.5	143	P21.6	88
P10.6	144	P21.7	90
		P21.2	84
		P21.3	85
		P21.4	86
		P21.5	87
		P21.6	88
		P21.7	90

插针

